

KP-ES05 Series

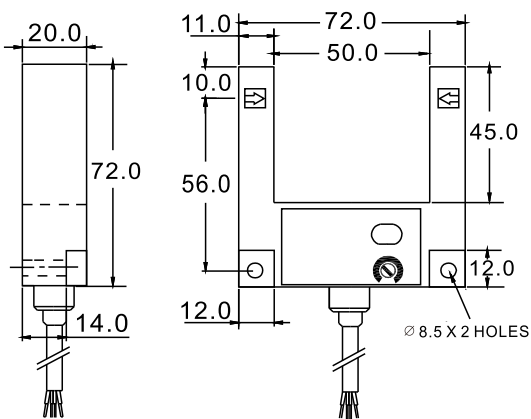
- For elevator, escalator, conveyor equipment position detection.
- Equipped with sensitivity adjuster, excellent sensitivity.
- With Light ON and Dark ON two functions.
- Good environmental resistance and excellent anti noise.



Item	Specifications	
Model number	KP-ES05N	KP-ES05P
Sensing distance	50mm	
Switching output	NPN NO & NC	PNP NO & NC
Standard sensing object	Opaque 5mm	
Operating voltage	DC 12~24V±10%	
Response time	<5ms	
Load current	<100mA	
Light source	Infrared LED	
Sensitivity adjustment	Sensitivity adjuster	
Operation indicator	Red LED	
Circuits protection	Reversed polarity protection	
Enclosure protection	IEC IP62	
Ambient temperature & humidity range	Operating : -20 ~ 55°C / RH 35 ~85% (with no icing or condensation)	

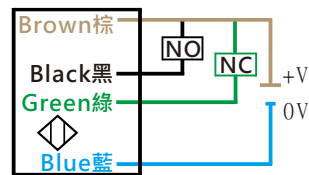
Ambient illumination	Lamplight < 3000 Lux / Sunlight < 10000 Lux
Housing material	Case : Zinc Alloy Die Casting / Lens : Acrylic
Connecting method	Pre-wired 2M Cable
Accessories	Screws · Adjustment screwdriver

Dimension



Wiring Diagram

NPN NO & NC Type



PNP NO & NC Type

